



MAREDO[®] GT series

EN0318

Dear reader,

The world changes rapidly. Not only regarding to the digital world, but also pertaining to turf maintenance. As we care about the earth, sustainability is the new key word for turf maintenance. It is a new challenge to maintain the turf to the same quality level with less fertilizer, fungicides and pesticides.

MAREDO is already taking this challenge on for more than a decade. Take the **GT230 Hispeed-Corer** for example. It is the new way to verticut greens. But unlike a verticut blade, the **GT230's** hollow tines remove thatch by producing a nice, clean cut and pull a small plug of thatch. No grass is torn apart and the turf won't be exposed to diseases and other external threats. It is like pruning a tree branch which can be done in two ways: Fold the branch and crack it, or use a secateurs. If you fold and crack it, the branch wound will be severe and effect the whole tree, while if there is a perfect cut with a secateurs the branch will easily grow in many different directions. This is the exact same thing with your valuable turf.

It is **MAREDO's** mission to develop more of these **sustainable** machines. Machines that increase your **turf quality** and reduces turf stress.

Attached the booklet brochure of the **MAREDO GT series** machines. For the full range of machines please see our website www.maredo-bv.com.

For more information please contact a **MAREDO** dealer, give us a call or send us an e-mail. We will be happy to assist you in your **sustainable turf maintenance**.

I hope we can welcome you as another valuable **MAREDO** user soon.

Yours Sincerely,

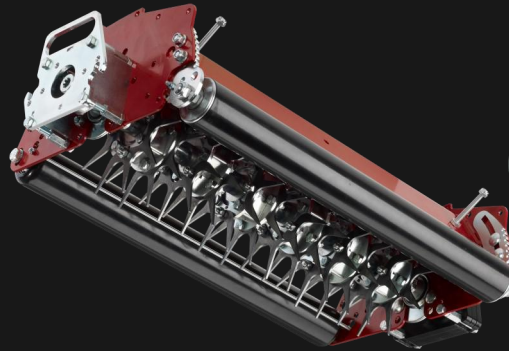
Marinus Reincke
CEO **MAREDO BV**



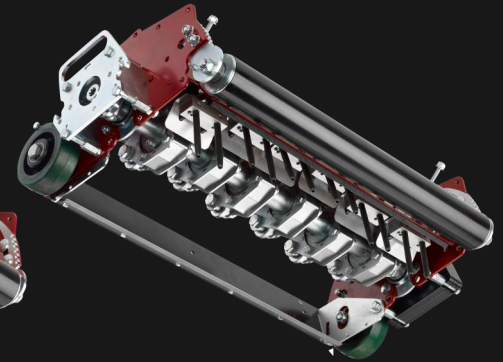
The **MAREDO GT** collection



GT190 Fraze-Groomer



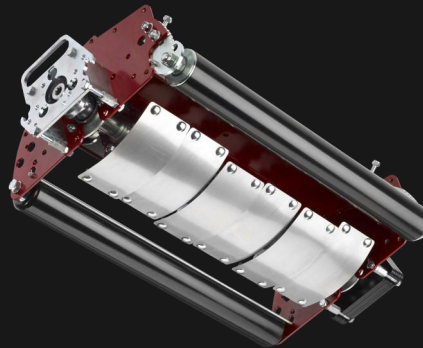
GT210 VibeSpike-Aerator



GT230 HiSpeed-Corer



GT250 CountRo-Sweeper



GT300 VibeShoe-Roller



GT410 VibeSpike-Seeder

MAREDO GT heads fit to all common used triplex greensmowers of Toro, Jacobsen, John Deere and Baroness



MAREDO GT190 Frazee-Groomer

- Unique **Groomer** with rotation against driving direction
- Blades are mounted at an angle and leave no visible lines Each blade tip produces a short slit
- The incorporated brushes leave a clean surface
- **MAREDO** heavy duty collecting boxes are standard included





A simulated pattern of the **GT190 Fraze-Groomer's** result



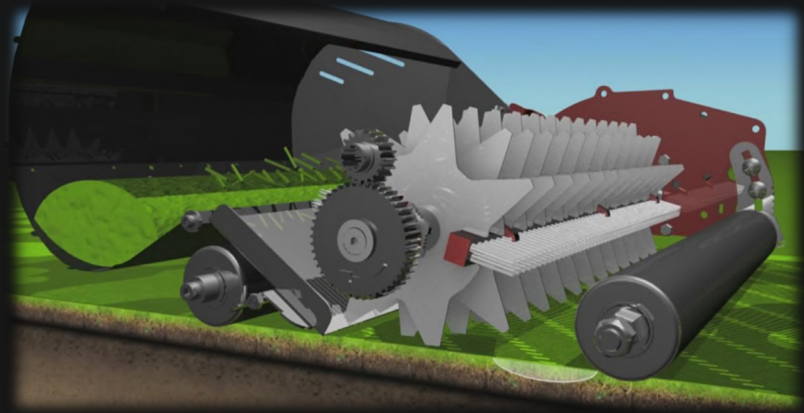
Result:

Left side: untreated

Right side: treated with the **GT190 Fraze-Groomer**



The **GT190 Fraze-Groomer** is a very useful tool for removing unwanted POA-ANNUA from greens. The blade tips of the counter rotating blades will lift out the POA ANNUA plants.



Why use the **MAREDO GT190 Fraze-Groomer**?

Greens groomers or light verticutters are great tools to control the horizontal grass growth and thatch build up. The problem with groomers and light verticutters is that they leave visible slits which can affect ball roll on greens. **MAREDO** found the solution for this problem and uses a unique system of mounting the blades at an angle on the main shaft. With this system each blade tip creates a short, hardly noticeable slit.

Another unique feature of the **GT190** is that the main shaft counter rotates. This results in cleaner cutted slits and better removal of material. Incorporated brushes help cleaning the surface and will brush the loose material into the heavy duty **MAREDO** collecting boxes.

The working depth of the **GT190** is easy to change by turning the quick adjusters. Maximum working depth is 6 mm. (0.25")

MAREDO GT210 VibeSpike-Aerator

- The vibrating spikes are ideal for aerating green and tees
- The working depth of the **GT210** is adjustable from 0-35 mm. /0-1.4"
- The **GT210** is ideal for opening up compacted and stressed top layers
- The vibrating system doesn't only help reaching maximum depth, it also helps shattering compacted soil





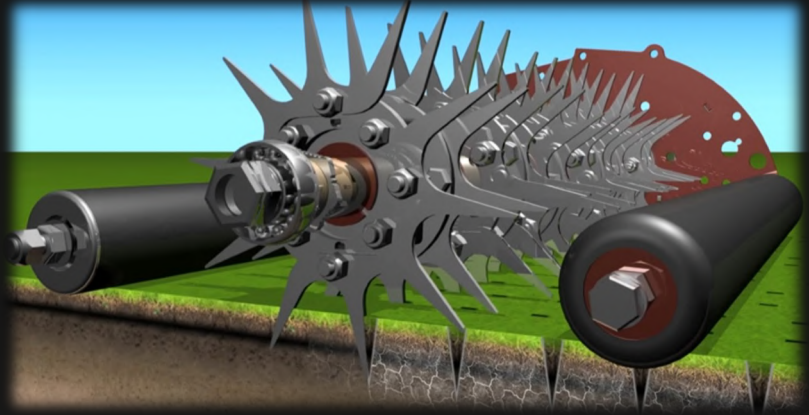
The **GT214 VibeDisc-Slicer** works similar as the **GT210**. Instead of spikes thin cutting discs are mounted



Thanks to the vibrating spikes the holes produced by the **GT210** are clean and without disruption



Six spike sections per head are mounted on a camshaft. The spikes are ground driven and the reel motor drive will generate the **vibration**



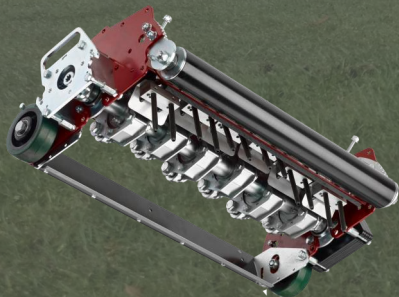
Why use the **MAREDO GT210 VibeSpike-Aerator**?

Spikers are used a lot to aerate turf. Almost every rolling spiker requires a lot of weight on top of the spikes to 'push' the spikes into the compacted soil.

MAREDO designed a vibrating system integrated in a spiker. The vibration helps penetrating the spikes into compacted soils. The vibration helps cracking compaction and will leave well punched holes.

This vibrating system is integrated in the **MAREDO GT210 VibeSpike-Aerator**. When ground conditions are tough, just slow down and let the vibration do it's work and crack the soil. With the **GT210** greens can be aerated very quick leaving a shattered top layer with clean cutted holes.

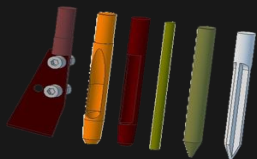
The working depth of the **GT210** is easy to adjust to a maximum working depth of 35 mm. (1.4")



MAREDO GT230 HiSpeed-Corer

- Adjustable working depth: 0-25 mm. / 0-1"
- Produces approximately 4 million holes per hour
- Square hole pattern at mowing speed
- 18 holes can be treated in 4-5 hours
- The clean cutted holes will heal in 2-3 days





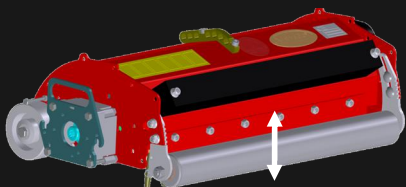
Multiple types of hollow, cross, slicer and solid tines are available



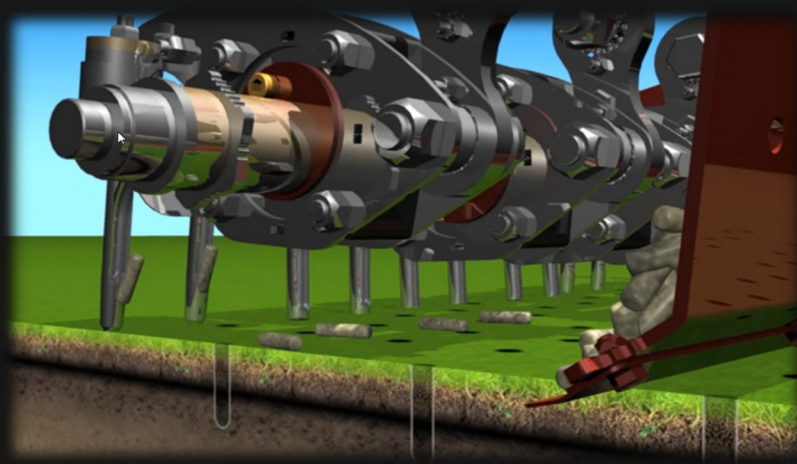
Hole pattern with clean cutted holes



The mini cores are easy to remove. A core collector is standard included



Working depth can be set by adjusting the front roller



Why use the **MAREDO GT230 HiSpeed-Corer**?

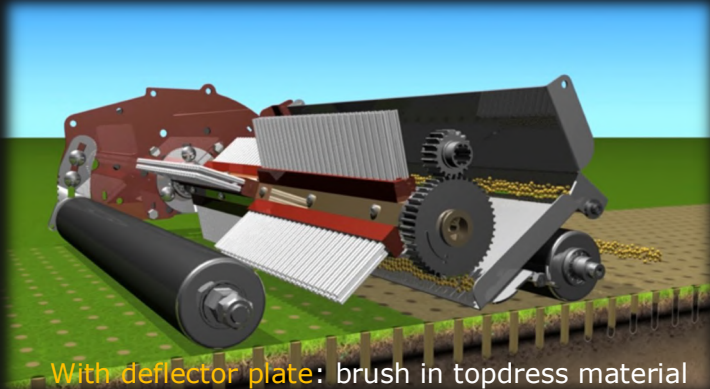
Thatch control on greens can be a stressful operation. The reduction of organic matter in greens is most of the times an operation which demands a lot of time and patience. Most of the times there simply is no time to verticut greens. It can be a painful operation for the turf and the cutted slits sometimes needs weeks to recover. **MAREDO** has the solution for **quick** and **efficient** thatch control on greens.

The **MAREDO GT230 HiSpeed-Corer** removes huge amounts of thatch with minimal damage to the green. You will just need a triplex greens mower and a set of three **HiSpeed-Corer** heads mounted on it. The hollow **MAREDO** tines will create well cutted holes and will pull a lot of plugs. The tines will penetrate through the thatch layer opening up the top layer of the green. The holes will heal in approximately two days.



MAREDO GT250 CountRo-Sweeper

- The brushes counter rotate, leaving a very clean result
- Ideal for removing cores, pine tree needles, dew etc.
- **MAREDO** heavy duty collecting boxes are standard included
- With the optional deflector plate the **GT250** heads can be used to brush in topdress material

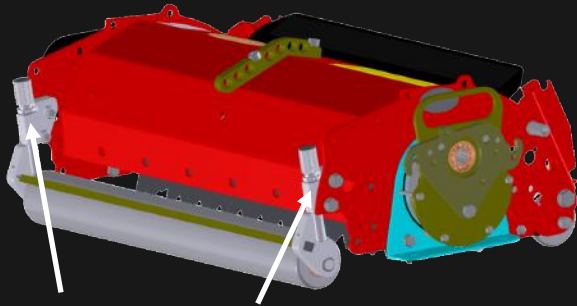


- With deflector plate: brush in topdress material



With collecting box: collect and clean greens

The **GT250 CountRo-Sweeper** is standard provided with a heavy duty **MAREDO** collecting box. With an optional deflector plate the **GT250** is ideal to use for brushing in topdress material



The working depth of the **GT250** is easy to change by turning the quick height adjusters

Why use the **MAREDO GT250 CountRo-Sweeper**?

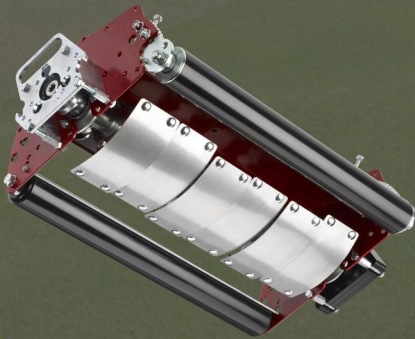
Cleaning greens can be a time consuming operation. Blowers are often needed to remove tree needles, redundant topdress sand, cores, worm piles or other debris. Most sweepers are not designed for use on greens as they are too aggressive or too heavy.

However **MAREDO** designed the **GT250 CountRo-Sweeper** specially for use on greens. A small gearbox lowers the RPM of the brushes and reverses the rotation direction. The lower RPM of the brushes results in a lower brush speed which prevents burned turf. Burned turf is a result of brushes with a too high RPM. The reverse rotation (rotation against driving direction) is the only right rotation direction for efficient brushing. The **MAREDO GT250** will remove incredible amounts of grass clippings, needles, leaves, worm piles etc. and will leave a clean and healthy green.



MAREDO GT300 VibeShoe-Roller

- The most consistent greens 'roller' in the market
- Regular green rollers tend to push material forward and create a 'wave shaped surface' But the six feet of the **GT300** push uneven surface vertically down and leave a way more consistent surface
- The **GT300's** vibration makes it very suitable to use in combination with topdressing. The vibration makes the sand drop into the turf without dragging it across the surface

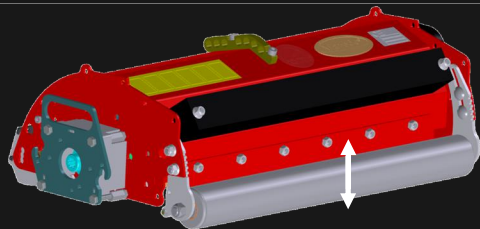




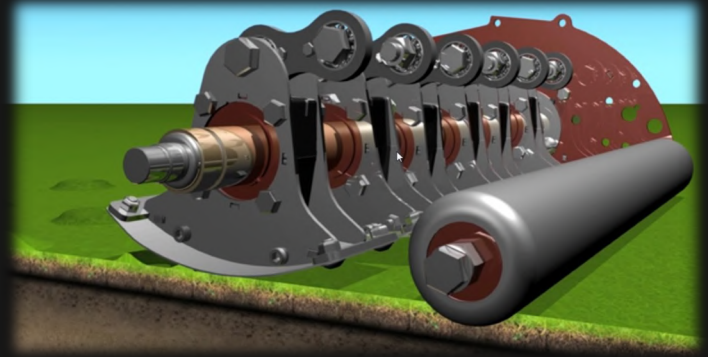
The **GT300** can also be used to 'vibrate' topdress material into greens. Thanks to the vibration, the sand easily drops down.



Increase STIMP values and ball roll consistency on greens with the **GT300**



Impact can be set by adjusting the **GT300's** front roller



Why use the **MAREDO GT300 VibeShoe-Roller?**

The Stimp value and consistency of ball roll on greens is an incredibly important issue. Golf players will immediately notice any changes in the speed of the greens. Because of this fact it is important to roll greens regularly. Many superintendents are still used to use round rollers to increase the speed of the greens. Unfortunately round rollers always tend to push material forwards. Once a roller has pushed enough material out in front of the roll it will roll over it. This will generate a wave shape in the green.

MAREDO took the challenge to find a solution for this problem and designed the **GT300**. The **GT300** has six 'shoes'. These shoes make a rolling movement. Not only will they leave a very smooth surface, the **GT300** is also way more consistent than a regular roller. It is the same method as repairing a pitch mark with your own foot. So stop creating wave patterns in your greens and start with real rolling with the **MAREDO GT300 VibeShoe-Roller!**

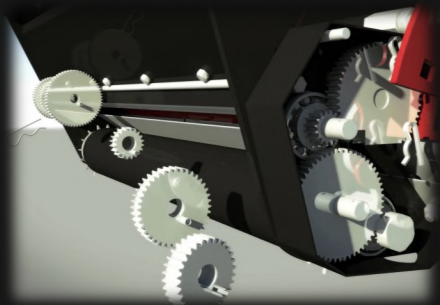
MAREDO GT410 VibeSpike-Seeder

- The **GT410** is a very accurate agrostis/bentgrass overseeder
- Vibrating spikes create seed holes with a consistent depth
- Overseeding at mowing speed. Overseed 18 holes in 4-5 hours
- Easy depth adjustment by adjusting the rear roller

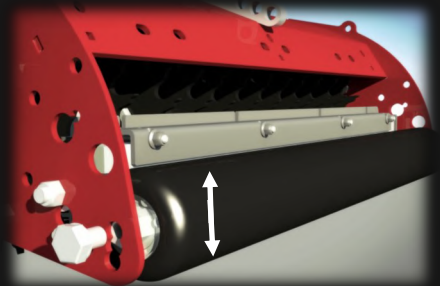




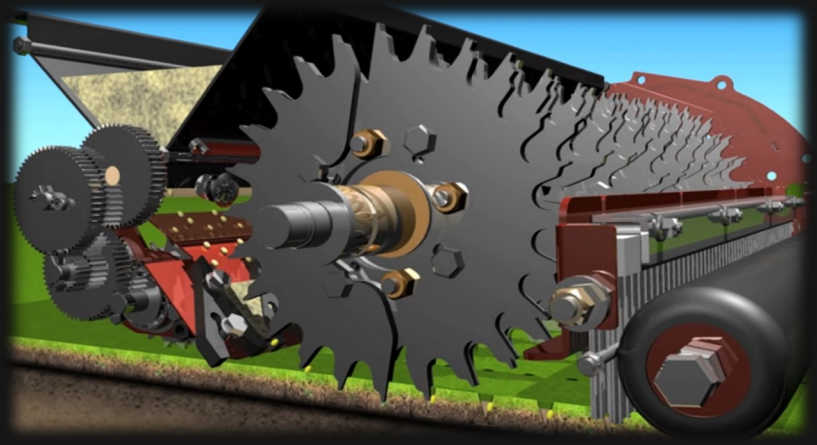
The **seed** is well protected against outside influences in the produced holes and will **germinate** very quickly. The clean holes are hardly visible and do not affect ball roll on green speed



The **dosing rate** is easy to set by changing gears. Spare gears are standard included. Dosing starts from 1,4 gr/m² (0.3 lbs/1000)



The hole depth can be changed by adjusting the rear roller up and down



Why use the **MAREDO GT410 VibeSpike-Seeder**?

Every superintendent and greenkeeper wants to have strong turf on their greens. Turf that is resistant against diseases, is healthy and covers the greens without any bad spots. Regular **overseeding** is incredibly important in creating strong and resistant turf on greens.

In the past overseeding could only be done by using big overseeders on heavy tractors or by using inefficient drop seeders. **MAREDO** has developed the **GT410 VibeSpike-Seeder** to introduce a new way of **overseeding**. In the **GT410** vibrating spikes accurately plant the seed into nice and clean holes. The **MAREDO GT410** heads on a triplex green mower turn a regular mower into an efficient **bentgrass overseeder**.

So stop wasting seed and start with real overseeding!

Other **MAREDO**® products:



MAREDO MT200 Flex-Verticutter

- . A flexible, tractor-mounted verticutter / scarifier for fairways, sportfields, tees and greens
- . Mechanically driven heads
- . Flexible main frame



MAREDO MT210 VibeSpike-Aerator

- . A flexible, tractor-mounted spike aerator for sportfields, fairways, tees and greens.
- . Vibrating spikes relieve compaction
- . Flexible main frame



Your **MAREDO** dealer:



Hong Kong | Singapore | Malaysia | Australia

Email: info@centaur-asiapacific.com

Website: www.centaur-asiapacific.com



www.MAREDO-bv.com sales@MAREDO-bv.com

