

TRILO®

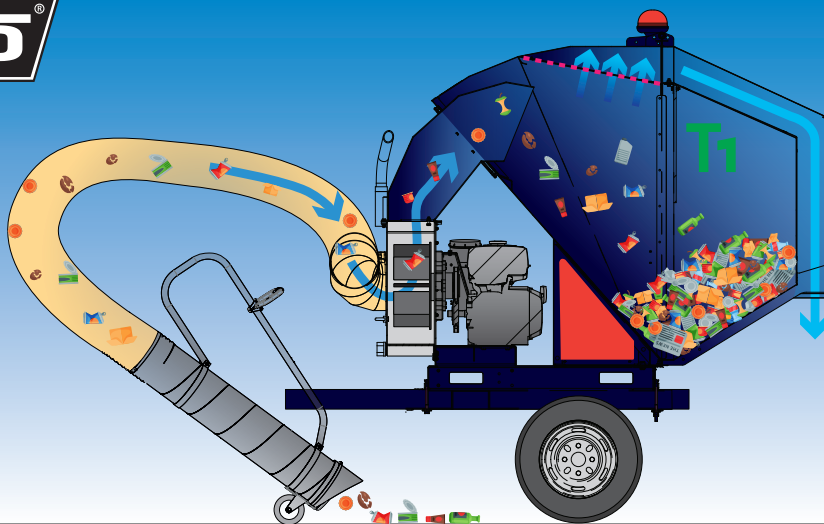


Clean up leaves and litter fast and easy with a TRILO T1 Suction Unit.

TRILO has a solution to clean up leaves and litter easy and fast. Its called the TRILO T1 suction unit that you can easily place on a wide range of utility vehicles. This way, you can turn small manoeuvrable vehicles into mobile vacuums in very little time. This makes it easy to remove leaf and litter from the most hard to reach places. Very suitable for clearing leaves and litter from parks, inner cities, parking lots, cemeteries or wherever larger vehicles cannot access. There is even a version mounted on a trailer chassis that can easily be coupled and towed behind a vehicle. Removing and collecting waste materials from the most difficult locations is now made easy with the TRILO T1.

The TRILO T1 fits on almost any Utility Vehicle





Impeller: ϕ 400 mm – 4-blade

Drive: Petrol engine - Honda GX340 8 kW

Machine starting method: Pull cord

Overall dimensions: (LxWxH): 209 x 150 x 160 cm

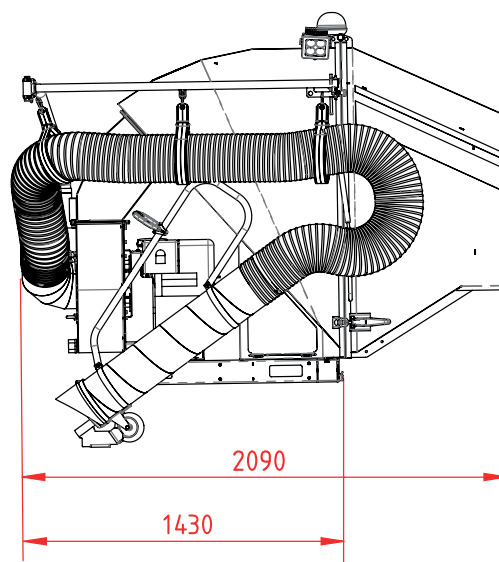
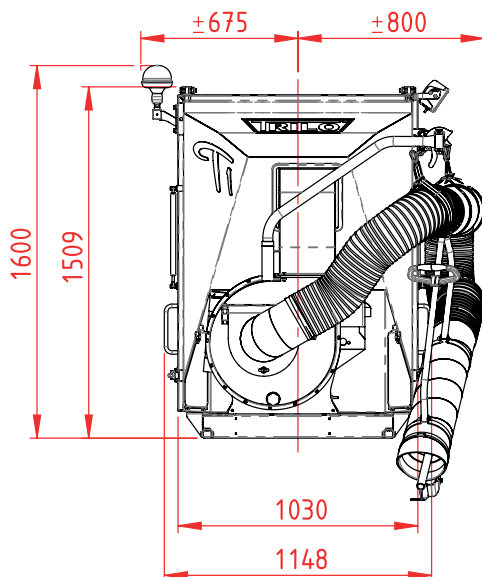
Weight empty: 332 kg

Load volume: 1.0 m³

Suction hose: ϕ 200 mm x 5 m (4 m flexible hose)

Airflow: 180 m³/min

- Fits on a wide range of utility vehicles
- Easy to operate
- Little maintenance required
- Easy to clean
- Suitable for the removal of various waste materials



Centaur Asia Pacific (Hong Kong)

Unit 801 & 802
Wing Fat Industrial Building
12 Wang Tai Road
Kowloon Bay, Hong Kong

Tel: +852 25270007
Fax: +852 25270150
E-mail: info@centaur-asiapacific.com

Centaur Asia Pacific (Singapore)

63 Hillview Avenue #01-02
Lam Soon Industrial Building
Singapore 669569

Tel: +65 63626922
Fax: +65 63626985
E-mail: info@centaur-asiapacific.com

Centaur Asia Pacific (Malaysia)

Unit 02-02 Teega Tower,
Jalan Laksamana 1, Puteri Harbour,
79100 Iskandar Puteri,
Johor Darul Takzim, Malaysia.

Tel: +60 75705979
E-mail: info@centaur-asiapacific.com