

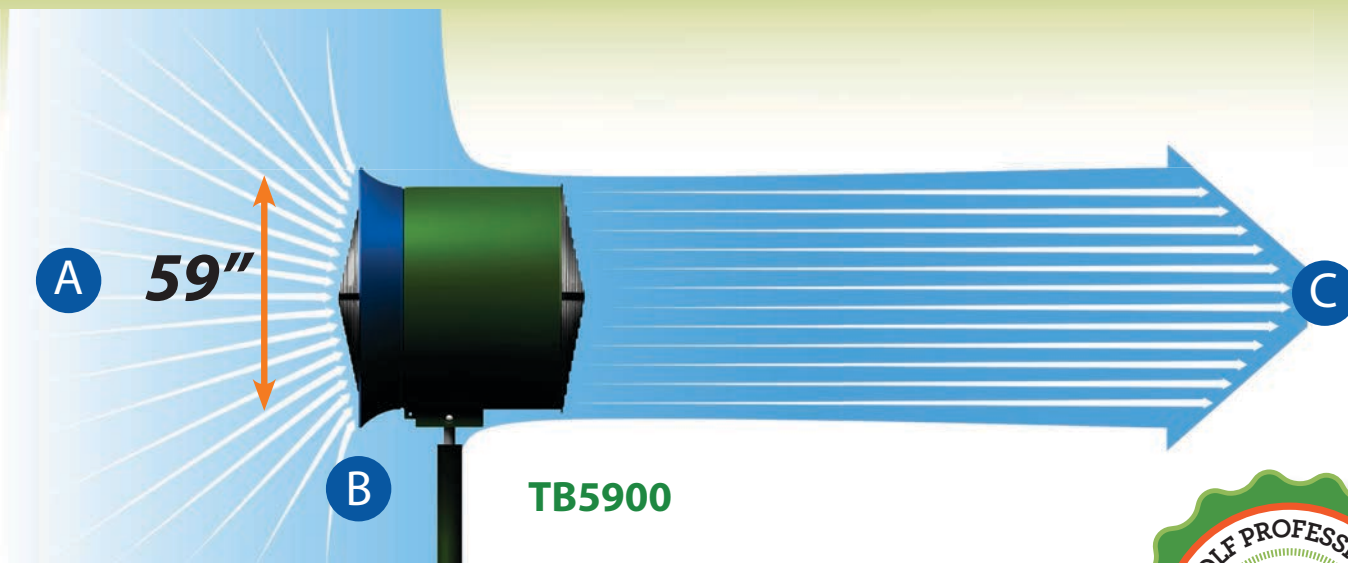
# TurfBreeze

**#1 TURF FAN**  
IN THE INDUSTRY



Portable, Affordable, Innovative **Air Solutions**





## TurfBreeze Inlet Bell TECHNOLOGY

**Superior air intake allows fans to condense and propel  
a high volume of smooth airflow across the green.**



- A** *The Inlet Bell allows maximum air intake improving motor efficiency, lower noise and reduced energy use.*
- B** *The precisely designed smooth curve of the inlet bells allows the fan to draw in the maximum amount of air with minimum loss of velocity.*
- C** *Exceptional air flow supply and fan blade position condenses airflow and projects maximum delivery of surface air movement across the grass canopy.*



### Benefits Shaded Greens

Surface aeration promotes overall healthier grass



### Control Excess Surface Moisture

Reduce moisture on grass from rain, dew or frost



### Quiet Operation

60 decibels at 50 ft.

Program fan to lower fan speed/noise for events or neighbor hours\*

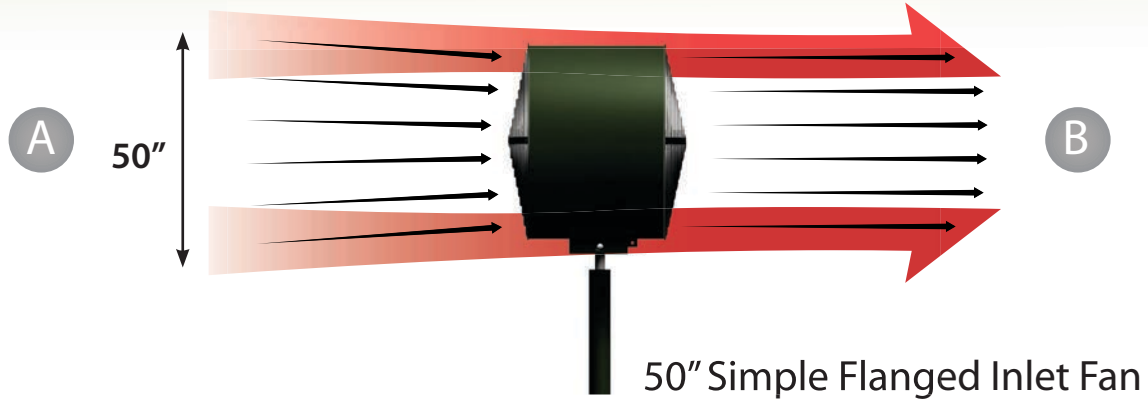


### Low Maintenance

Fixed position  
Blades never need adjustments  
No belts, shafts or pillow blocks to maintain

\*with VFD Control Upgrade

# Most Respected Fan in the Golf Industry



## Competitor Airflow COMPARISON

Airflow is diverted away from the walls of the fan housing, creating little or no loading of rotor blade. This results in **poor performance, high vibration and excessive noise.**

- A 50" Intake Opening
- B 50% Loss of Air Intake Velocity\*

## Typical Entrance Losses

		Type of Orifice	Description	Loss*	Type of Orifice	Description	Loss*
TurfBreeze	Competitor's Design		Smooth, Well Rounded	5%		Unflanged Cone, 15' Per Side	13%
			Two-Cone, 45' & 15' Per Side	6%		Flanged Pipe	50%
			Flanged Cone, 15' Per Side	7%		Unflanged Pipe	90%
						Competitor's Design	

\*Loss is given in percent of velocity pressure (%VP)

\*Engineering Data – Page 10 – Typical Entry Loss - Cincinnati Fan – OEM and Industrial Air Handling Specialist Catalog ENG-409

## STANDARD FEATURES

*Inlet Bell Technology*  
*Optimized Blade Position*  
*Extended Warranty*  
*We Make and We Ship -*  
*Manufactured by TurfBreeze*  
*Tested and Proven 150+ Ft.*  
*Throw @4-5 mph.*  
*Personalized Customer Service*  
*In-Stock Parts*  
*In-House Technicians*  
*SSP Blade™ - Never Needs Adjusting*  
*Irrigation Relay*  
*Powder Coated Steel -*  
*For Lasting Durability*  
*Personal and Equipment*  
*Safety Protection*

Permanent	Drive	Warranty
TB 5900	Direct Drive	3 Yr. Power Train, 1 Yr. Fan Parts
TB 4700	Direct Drive	3 Yr. Power Train, 1 Yr. Fan Parts
TB 5900 P	Belt Drive	2 Yr. Power Train, 1 Yr. Fan Parts

Portable	Drive	Warranty
TB 6200 GT	Belt Drive	1 Yr. Power Train, 1 Yr. Fan Parts
TB 5900 T	Direct Drive	3 Yr. Power Train, 1 Yr. Fan Parts
TB 4700 T	Direct Drive	3 Yr. Power Train, 1 Yr. Fan Parts
TB 5900 PT	Belt Drive	2 Yr. Power Train, 1 Yr. Fan Parts

## SELECTING YOUR TurfBreeze™ FAN

Our turf specialists can advise on fan placement via photographs of your greens. To determine your best TurfBreeze fan option use the following guide:



### Green Size

The larger the green, a fan with more CFM (cubic feet per minute) is preferred. A fan size must provide adequate energy to offer sufficient velocity at the furthest point from the fan.



### Power Options Electric

Use existing power at hole with either Single Phase or Three Phase power. No power access or difficult location? Gas powered fans – gas powered units provide the option to place fans around greens that present power option challenges.



### Placement

Place fans in tree lines and silhouetted against background landscape. Position fans horizontal to the green with a 30° cone of air catching the edge of the green closest to the fan.



### Noise

With DBA ratings averaging 65 and lower, TurfBreeze fans provide quiet unobtrusive operation. For residential courses, we offer models to minimize noise and provide air movement over your green surface.



Made in America

**TurfBreeze**  
a SubAir Company



**TB 5900** MODELS

Model Number	TB5900 D	TB5900 P
CFM	47,000	47,000
Throw @ 4-5 mph	150+ Ft.	150+ Ft.
Sound	60 dba at 50 Ft.	60 dba at 50 Ft.
Weight	510 lbs.	510 lbs.
Motor	5 HP	5 HP
Drive System	Direct Drive	Belt Drive
Voltage	230 Volt, Single Phase 230/460 Volt, 3 Phases	230 Volt, Single Phase 230/460 Volt, 3 Phases
Size	59" Intake Diameter, 39" Long Housing	59" Intake Diameter, 39" Long Housing
Oscillating Coverage	Up to 140° Angle Area	Up to 140° Angle Area
Permanent Install	4 ft. Ground Pole and 12" Square Mounting Plate; Fan Pole has Matching 12" Square Plate and Fabricated in Custom Lengths	4 ft. Ground Pole and 12" Square Mounting Plate; Fan Pole has Matching 12" Square Plate and Fabricated in Custom Lengths
Location	Install Fan Bottom 4 ft. Above the Green	Install Fan Bottom 4 ft. Above the Green
Portable	Trailer Option Available	Trailer Option Available
Warranty/Service	3 Year Power Train, 1 Year Parts	2 Year Power Train, 1 Year Parts





**TB 4700 MODELS**

Model Number	<b>TB4700 D</b>
CFM	24,000
Throw @ 4-5 mph	125 Ft.
Sound	65 dba at 50 Ft.
Weight	250 lbs.
Motor	3 HP
Drive System	Direct Drive
Voltage	208 or 230 Volt, Single Phase, Optional 208 or 230/460 Volt, Three Phase
Size	47" Intake Diameter, 32" Long Housing
Oscillating Coverage	Up to 140° Angle Area
Permanent Install	36" - 42" Ground Pole and 12" Square Mounting Plate; Fan Pole has Matching 12" Square Plate
Location	Install Fan Bottom 4 ft. Above the Green
Portable	Trailer Option Available
Warranty/Service	3 Year Power Train, 1 Year Parts

## PORTABLE FANS



**TB 6200 GT MODEL**

Model Number	<b>TB6200 GT</b>
CFM	44,100
Throw @ 4-5 mph	150+ Ft.
Sound	77 dba at 50 Ft.
Weight	560 lbs.
Motor	16 HP Vanguared Gas Engine
Fuel Tank	25 Gallon Capacity
Size	59" Intake Diameter, 39" Long Housing
Oscillating Coverage	Up to 140° Angle Area
Permanent Install	N/A
Warranty/Service	1 Year Fan Warranty

